



PROJECT		REF		REV	ITEM CODE	
LOCATION		DATE			PAGE	

SANITARY WARE SPECIFICATION SHEET

Item Descriptions	Stern (Israel) "Nara 2030" Touch-free electronic infrared sensor flush valve for urinals ; 24 hrs hygiene flushing system in AC Supply with 5m wire AC 110-240 Vac 50/60Hz to 9V 0.3A IP68 waterproof switching transformers	Illustration/ Drawing
Model	Nara 2030 E	
Coda Number	170100	
Finish	Satin Finish	
Source	Acme Sanitary Ware Co. Ltd Mr. Eric Wong / Mr. Don Yuen	
Contact Tel/Fax	(852) 2388-7171 / (852) 2710-8012	
E-mail	acme@acmesanitary.com.hk	
Website	www.acmesanitary.com.hk	

NARA 2030 E Ref # 170100
 Touch-free electronic flush valve for urinals. Activated by infrared sensor. Shut-off valve and filter are included. 24-hour hygiene flush is included. Pre flush optional upon request. Metallic panel in satin finish. Adjustable settings by remote control: sensor range, security time, delay in, delay out, on-off and reset to factory settings.

Application:
 Helps washrooms stay clean and saves water. Ideal for educational institutions, gas stations and restaurants. Its minimalistic style makes it perfect for locations with high design standards.

Use:
 Touch-free electronic flush valve for urinals. The water will flush once the user moves away from the urinal.

PRODUCT AT A GLANCE	
Installation	Concealed. Iron frame available
Power Supply	<ul style="list-style-type: none"> • 9V battery • 9V transformer
Operating pressure	0.5-8.0 bar / 7.0-116.0 PSI
Water flow	1.89 LPF / 0.5 GPF
Water saving option	0.47 LPF / 0.125 GPF

ORDERING INFORMATION				OPTIONS	
MODEL	CODE	POWER	ADDITIONAL FEATURES	OPTION	CODE
NARA 2030	170200	9V battery	Standard	Remote control	07100006
NARA 2030 E	170100	9V transformer		Iron frame	Upon request
NARA 2030 K	800277	9V battery	Iron frame installation	Matching W.C. flush valve	Upon request
NARA 2030 KE	800278	9V transformer			

Installation:
Concealed

Operating pressure:
0.5 – 8.0 bar

Power source:
9V Transformer

5m

(UK plug or wire fuse)

* All information of the above is for the reference only. No prior notice is made if any changes.



水務署
Water Supplies Department

總部 Headquarters

香港灣仔告士打道七號入境事務大樓 48 樓



Migration Tower, 7 Gloucester Road, Wan Chai, Hong Kong

本署
Our
來函編號
Your ref.

3321/2021 T/J(1046/2021)

電話
Tel.
傳真
Fax.

2824 0578

9 August 2021



Approval of "STERN" Sensor Flush Valve (General Acceptance No. C20210880F)

Your letters ref. PSW210706 and PSW210716B dated 7 July 2021 and 16 July 2021 respectively refer.

Having considered the test report ref. RPLF019 issued on 27 May 2021 by Ideal Test Consultants Ltd., this Authority accepts that the fitting described below complies with, and its use when correctly installed does not contravene, the Waterworks Ordinance and Regulations.

Name of Manufacturer: Y Stern Engineering (1989) Ltd

Country of Origin: Israel

Brand: Stern

Details of Fitting: 1/2" Sensor flush valve for urinal

Model: 170Y00
(where "Y" denotes the power source)

Body Markings: *Stern*

Expiry Date: 24 March 2026



Proviso: As the fitting has not been tested for use in contact with water intended for human consumption, the fitting can only be used in flushing water plumbing system.

This Authority hereby permits the use of the above fitting in flushing water plumbing systems subject to full adherence to Waterworks installation requirements. In particular, you are required to draw your customers' attention to the following requirement-

"Installation of filter before flushing valve is required. Without the filter, the flushing valve is liable to leak. The installed filter need frequent inspection and cleaning to maintain flushing supply. Normally only public toilets with good management system for maintenance would be considered."

"A stop cock or gate valve must be installed at the upstream of the fitting for manual isolation of water supply."

"The design flushing volume of the flushing valve should be compatible with the toilet bowl to ensure that effective clearance can be achieved by a single flush of water."

"Flushing valve should be used within the range of working pressures specified by the manufacturer." AND

"Installation of electronic opening and closing sanitary tapware should also comply with the requirements of Electrical & Mechanical Services Department."

A condition of this acceptance is that the fitting to be installed shall be replicas of the sample as certified by the testing agent mentioned above and without modifications. This acceptance may be withdrawn at any time if the standard of the fitting installed fails to meet that of the approved sample or if the fitting is found to be unsuitable for use in flushing water plumbing systems.

For the use of the fitting in any project, the General Acceptance Number of this letter must be quoted as a means of identification of acceptance of the fitting by this Authority.

Should you have any enquiries, please contact our Engineer Mr. Terry KUNG at tel. no. 3583 4086.

Yours faithfully,



(Roger WONG)
for Director of Water Supplies

Encl.

c.c. WSD 3321/1/82] - without catalogue
ME/MC] - with soft copy only



PROJECT		REF		REV	ITEM CODE	
LOCATION		DATE			PAGE	

SPARE PARTS LIST

Nara 2030E (170100)

Quantity	Part Number	Description	Cat. No.
	1	Panel Kit	07040191
	-	Sensor Kit	07220063
1	2	Sensor for Nara 2030U	
4	3	Screw	
	-	Solenoid & Housing Kit	07231010
1	8	Solenoid	
1	7	Diaphragm	
1	6	Body valve	
1	9	Filter	
	-	Nipple Kit	07246002
1	4	Nipple	
1	5	Gasket	
	7	Diaphragm	04500001
	9	Filter	08530013
	10	Transformer	TBC

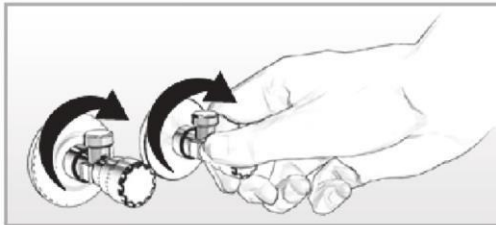
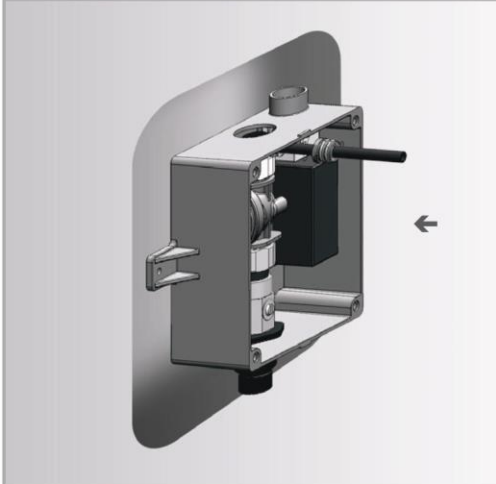
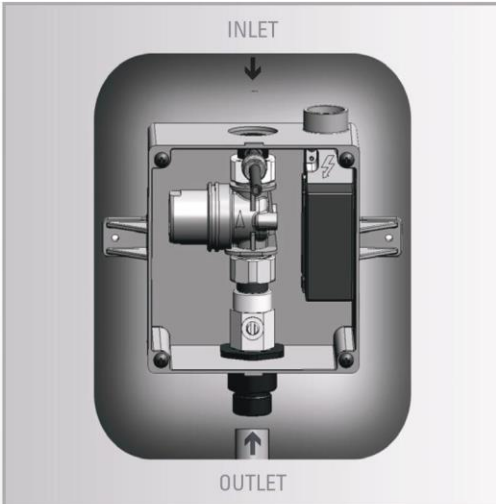
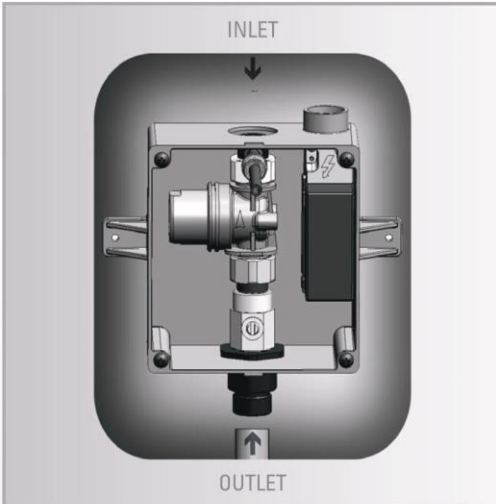
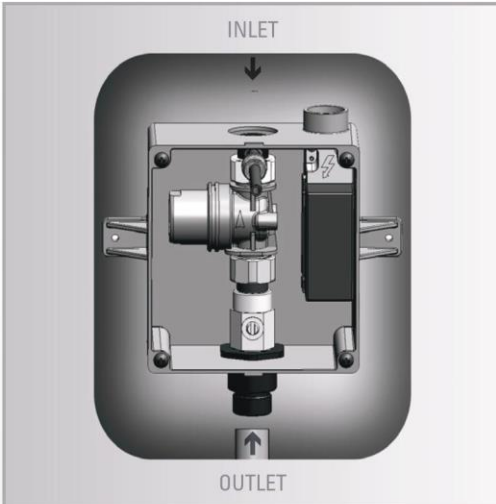
Note: In order to locate the relevant spare part, please check the corresponding parts and part number in the drawing. Minimum order quantity will be required.

* All information of the above is for the reference only. No prior notice is made if any changes.



INSTALLATION

STEP 1 – INSTALLING THE FLUSH VALVE

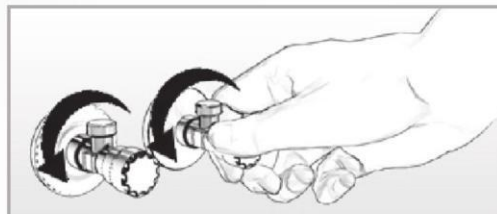
<p>1</p>	<p>Shut off the water supply.</p>	
<p>2</p>	<p>Cut an adequate opening in the wall for the dimensions of the box and the corrugated tube (for E versions, not supplied).</p>	
<p>3</p>	<p>Insert the electronic flush valve box through the opening.</p>	
<p>4</p>	<p>Connect the flush valve inlet to the water supply.</p>	
<p>5</p>	<p>Connect the flush valve outlet nipple to the pipe leading to the urinal's inlet.</p>	



INSTALLATION

6

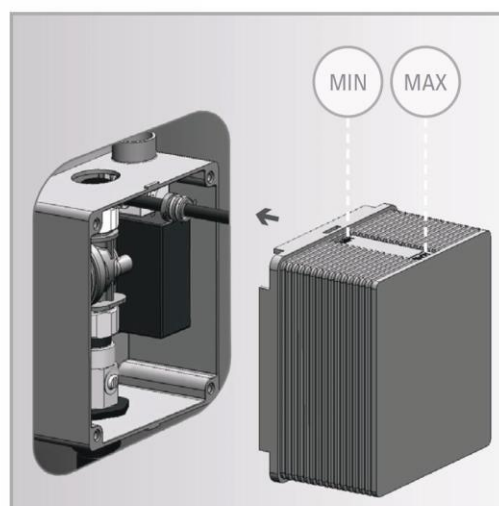
Turn on the water supply. Make sure there is no leakage.



7

Assemble the mud guard cover to protect the flush valve.

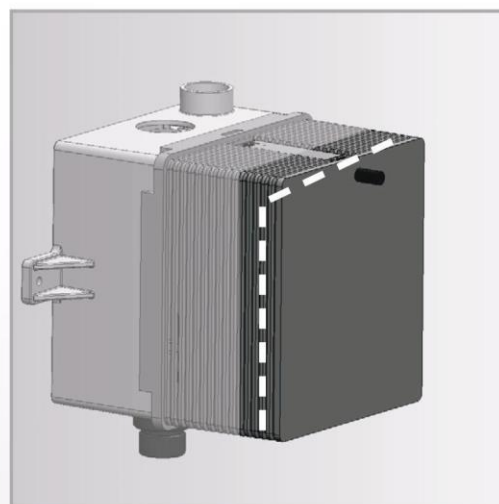
Note the MIN and MAX marks on the box.



STEP 2 – CONNECTING THE WATER SUPPLY AND THE POWER SOURCE

1

Once the electricity, plumbing and tile works are finished, cut the mud guard cover wherever required by the installation.

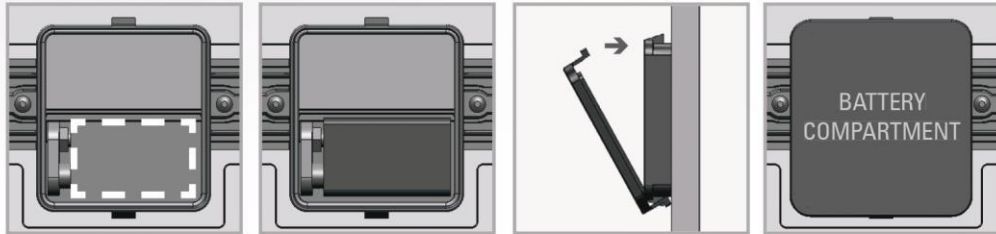




INSTALLATION

If your model is Nara 2030, assemble the battery into its compartment in the wall cover plate, close the battery compartment and proceed to clause 8

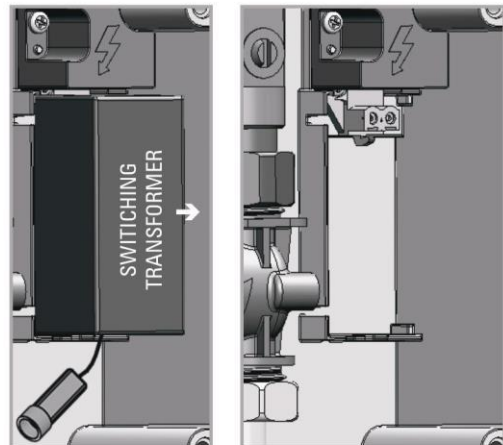
2



IMPORTANT: CLAUSES 3-7 ARE TO BE EXECUTED BY AN AUTHORIZED ELECTRICIAN ONLY

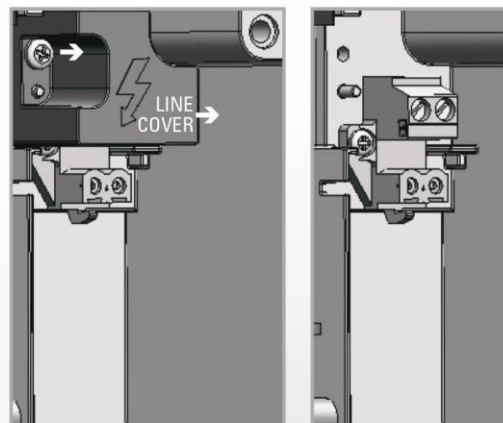
3

If your model is Nara 2030E, detach the switching transformer from the flush valve box.



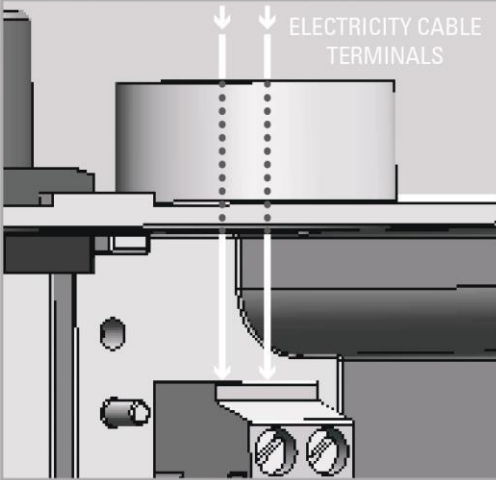
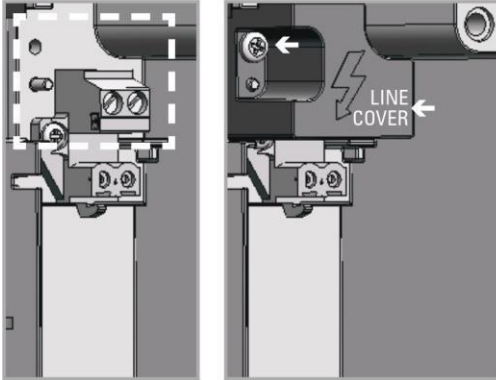
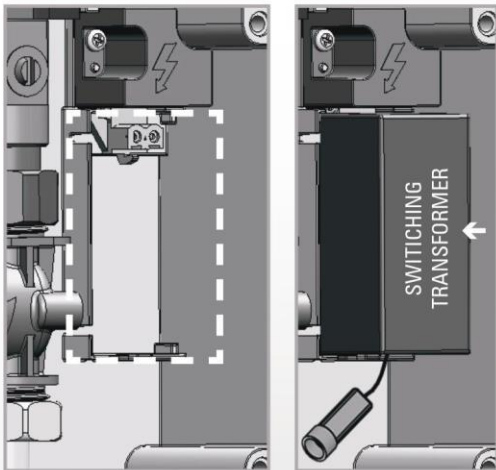
4

Detach the line cover in the flush valve box by unscrewing the line cover screw.





INSTALLATION

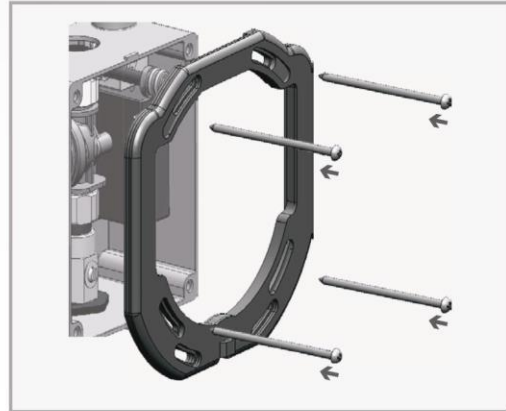
<p>5</p>	<p>Connect the electricity cable terminals.</p>	
<p>6</p>	<p>Reattach the line cover and fasten the line cover screw.</p>	
<p>7</p>	<p>Reattach the switching transformer into its location in the flush valve box.</p>	



INSTALLATION

8

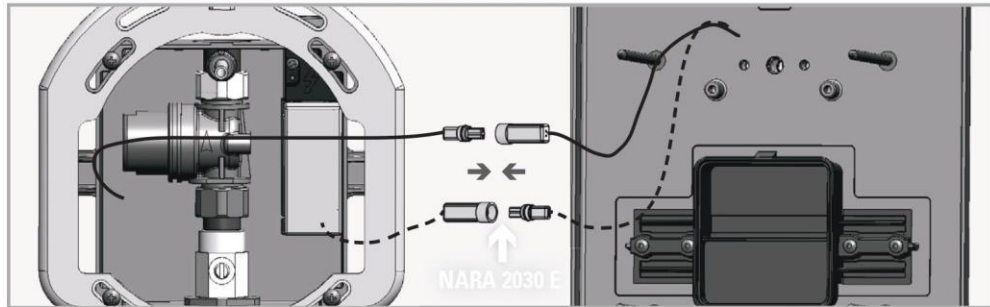
Assemble the plastic seat for the wall cover plate using the four screws provided.



9

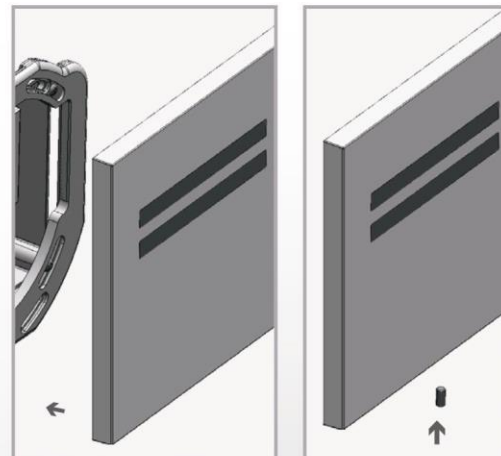
Connect the electronic unit connector that leads to the solenoid valve to the solenoid connector.

For Nara 2030 E models only: Connect the other electronic unit connector to the switching transformer connector.



10

Assemble the panel to the cover seat and tighten it with the bottom screw.

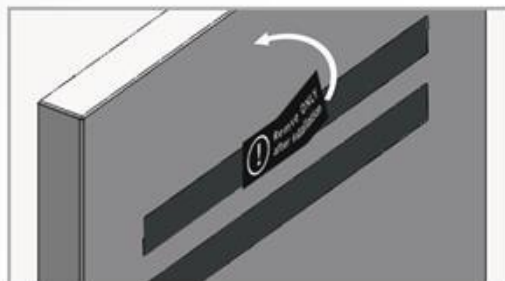




INSTALLATION

11

Now, remove the protecting sticker that covers the sensor.



IMPORTANT: WAIT A FEW SECONDS BEFORE ACTIVATING THE FLUSH VALVE TO AVOID ENTERING INTO "ADJUSTING MODE".

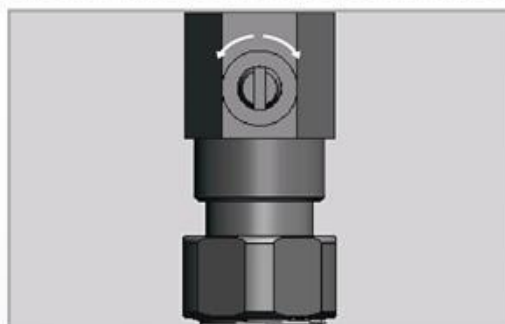
12

Move away and the flush valve will flush a few seconds after your departure.



13

If needed adjust the flow capacity by turning the regulating valve.



IF THE RANGE IS UNSATISFACTORY, REFER TO THE SECTION ENTITLED "SETTINGS ADJUSTMENT"



TROUBLE – SHOOTING

PROBLEM

INDICATOR

CAUSE

SOLUTION

Valve does not flush

Sensor flashes continuously when user's steps within the sensor's range.

Low battery.

Replace battery.

Red light in the sensor does not flash when user's steps within the sensor's range.

Range is too short.

Increase the range.

Range is too long.

Decrease the range.

Battery is completely used up.

Replace battery.

Sensor is picking up reflections from mirror or other object.

Eliminate cause of reflection.

Red light in the sensor flashes when user's steps are within the sensor's range.

Connectors between the electronic unit and the solenoid valve are disconnected.

Connect the connectors of the electronic unit to the solenoid valve.

Debris or scale in solenoid.

Unscrew solenoid, pull out the plunger and the spring from solenoid. Clean them with pressure or use scale remover material if needed.

The central orifice in the diaphragm is plugged or the diaphragm is torn.

Clean the orifice or replace diaphragm.

The water supply pressure is higher than 8 bars.

Reduce the water supply pressure.

Valve does not shut off

Sensor flashes when user's steps within the sensor's range.

Debris or scale in diaphragm or the diaphragm is torn.

Clean the orifice or replace diaphragm.

Red light in the sensor does not flash when user's steps within the sensor's range.

Sensor is dirty or covered.

Clean or eliminate cause of interference.

Sensor is picking up reflections from mirror or another object.

Decrease the range or eliminate cause of reflection.